

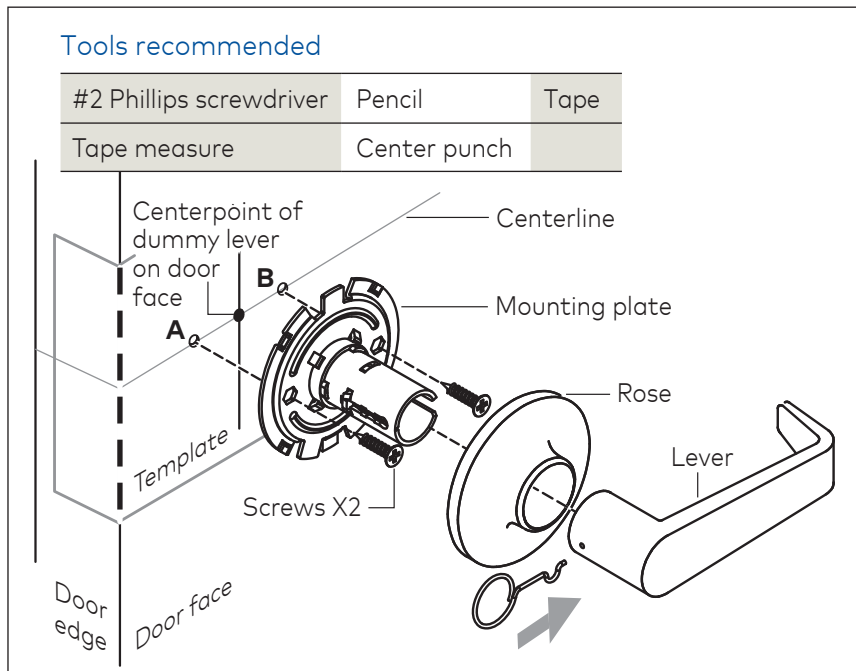
Installation Instructions

Dummy lever

For online instructions, assistance or warranty information:
Call 1-800-392-5209 or visit <https://dhwsupport.dormakaba.com/hc/en-us>

1 Instructions

1.1 Dummy lever installation instructions



- 1.1.1 Determine the backset measurement.
- 1.1.2 Fold the template along the dashed line and tape it in position on the high edge of the door.
- 1.1.3 Draw a centerline for the dummy lever across the edge of the door to any suitable height.
- 1.1.4 Realign the template with the centerline and mark the centerpoint of the dummy lever on the door face at the predetermined backset.
- 1.1.5 Mark holes A and B.
- 1.1.6 Insert the two screws, engaging the mounting plate to the door and tighten.
- 1.1.7 Install the rose.
- 1.1.8 Install the lever.



2 Template

2.1 Dummy lever template

- 2.1.1 Fold the template along the dashed line and tape it in position on the high edge of the door.

